

Part number

# CHIS 06 L



## Brief description:

bulkhead mounting housings with single lever, size "44.27", EMC version, IP66

### Product description

Version	EMC version
Series	bulkhead mounting housings with single lever
Product type	with 1 lever
Family	CLASS enclosures
Size	size "44.27"

### Technical data

Material	metal
IP degree of protection	IP66 (and IP69K DIN 40050 - 9)

### Further technical details

Weight	120,75 g
--------	----------

### Approvals / Standards

Quality mark	 (type:4/4X/12),  , EAC
Conformity	CQC, CE

### General ordering information

EAN13 code	8015747138154
Tariff number	85369095

### Packaging Information

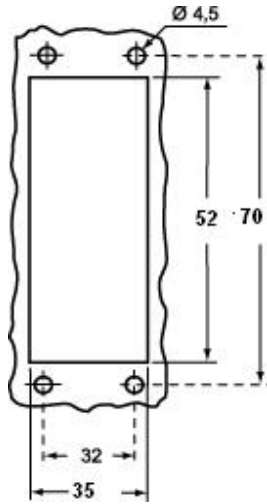
Packaging length	175,00 mm
Packaging height	195,00 mm
Packaging width	260,00 mm
Packaging weight	4,83 kg
Packaging volume	8,87 dm <sup>3</sup>
Packaging description	Carton box
Packaging quantity	40 Pcs
Packaging EAN code	8015747139960
Sub-packaging weight	0,60 kg
Sub-packaging description	Plastic packaging
Sub-packaging quantity	5 Pcs
Sub-packaging EAN barcode	8015747139977

Part number

# CHIS 06 L

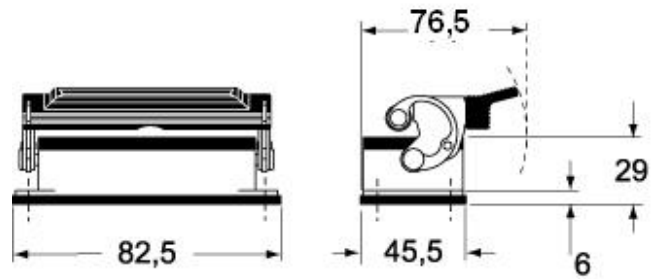


Catalogue drawings

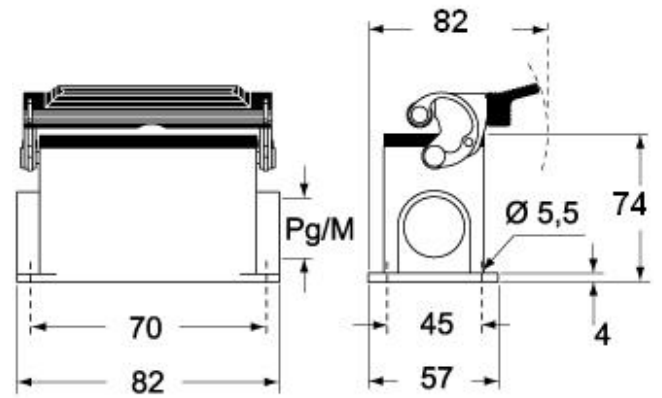


Catalogue drawings

## CHIS L



## CAPS L - MAPS L



## CHCS L

